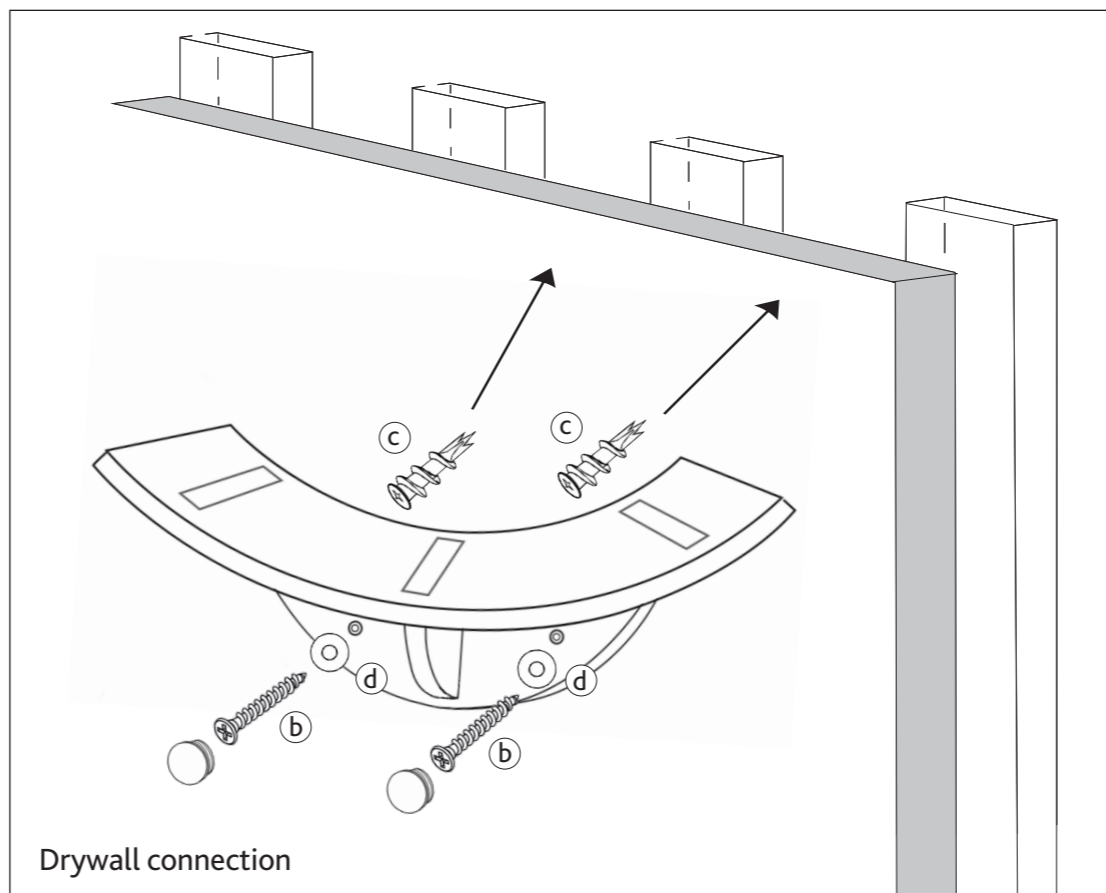
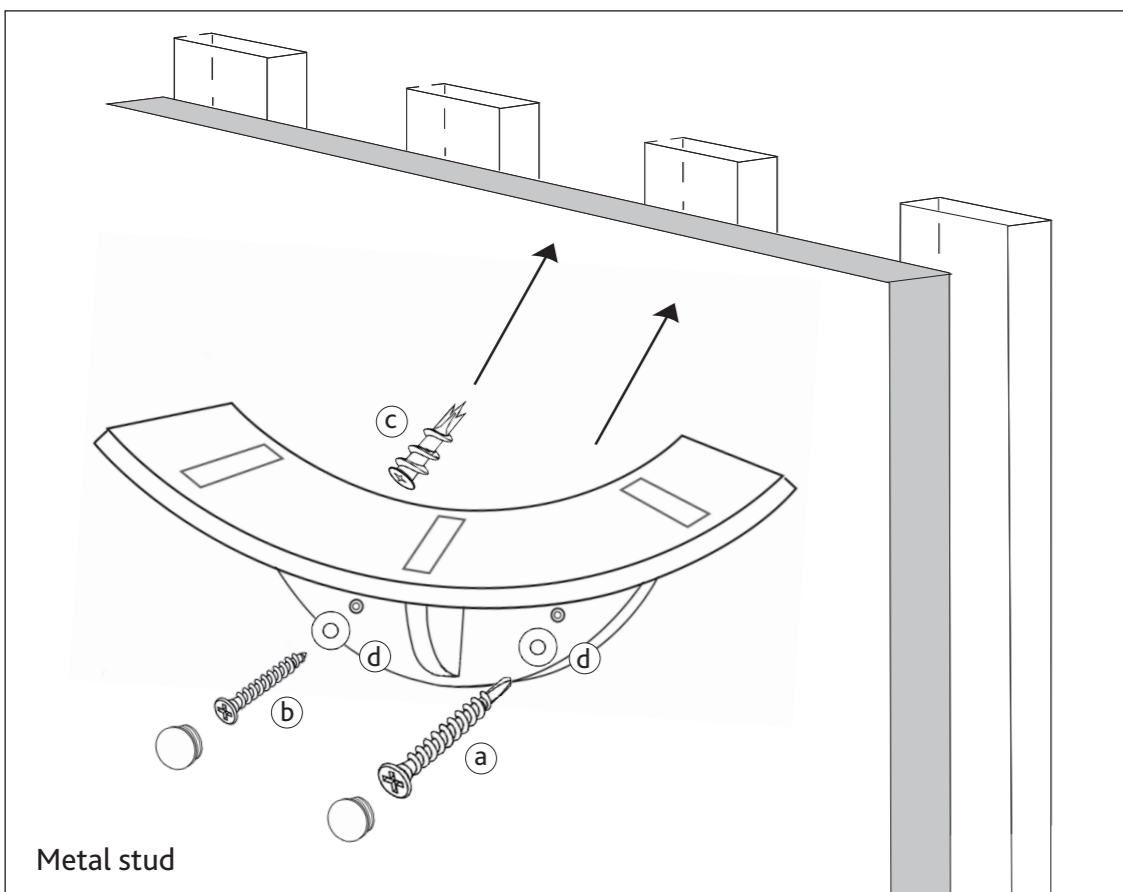


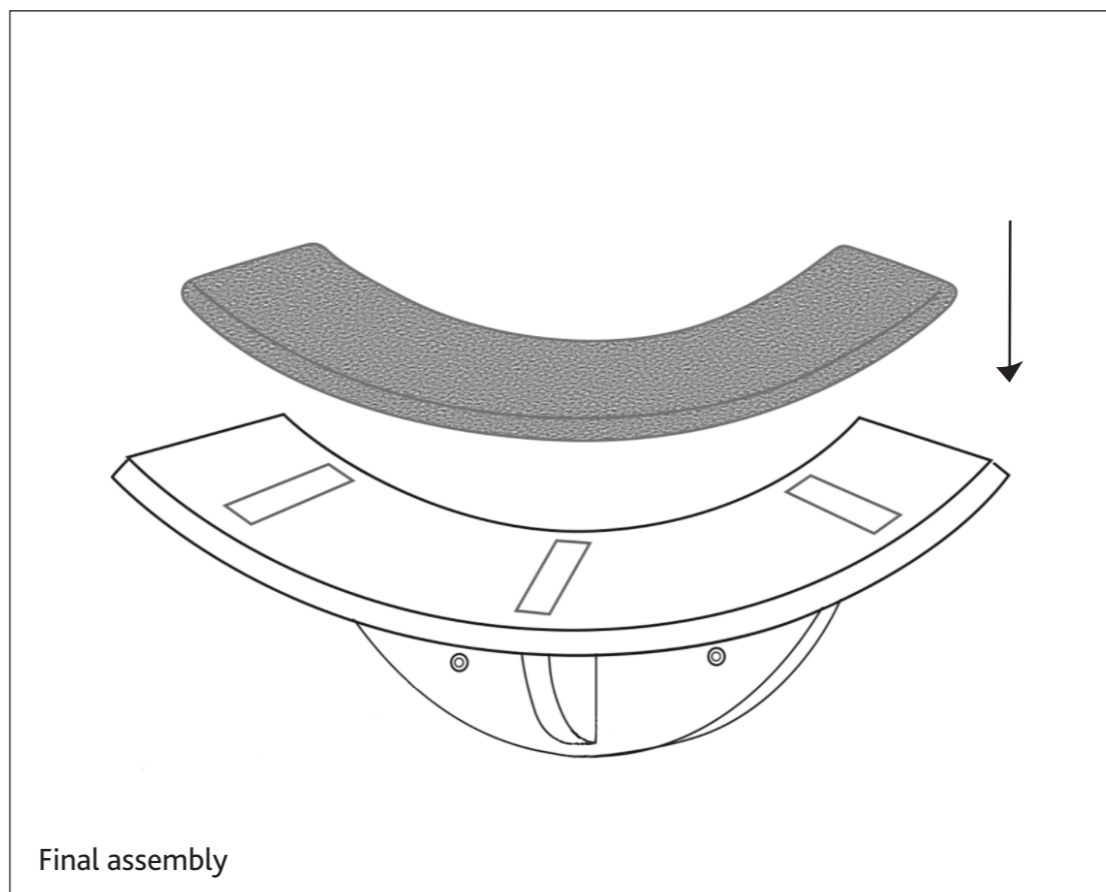
Wooden stud



Drywall connection



Metal stud



Final assembly

Advice:

Please note the secure assembly and mounting requires one adult person. When using drywall anchors, we strongly recommend combining the drywall connection with at least one screw to a stud for a more solid connection.

Work Steps:

First Step (connection with stud)

Please use a stud finder (or other technique) and a pencil. After locating the stud mark the center of the stud, which will hold the product.

Bring the products in final position and mark the screw-point on the center of the studs. Use a spirit level or have someone eyeball to make sure the holes are levelled.

First Step (connection with drywall anchors)

Locate the final position of mark the board and mark the screw-points. Use a spirit level or have someone eyeball to make sure the holes are levelled.

Second Step (Pilot hole)

Use your drill and a 1/16" or 5/65" bit to make pilot holes for maximum 2 inch to all markings. Please make sure to use the right bit for wooden and metal studs.

Third Step (connection with stud)

Mount the board with enclosed screw and washer to the stud and make sure the screws are fastened securely. We provide wood-screws and metal-screws for each type of studs.

Third Step (connection with drywall anchor)

Use your drill and with a Phillips bit to drill the anchors into the dry wall. The anchors are self-drilling. Mount the board with enclosed wood-screws and washers to the anchors and make sure the screws are fastened securely.

a. Metal Srew 

b. Wooden Srew 

c. Drywall Anchor 

d. Washer 