

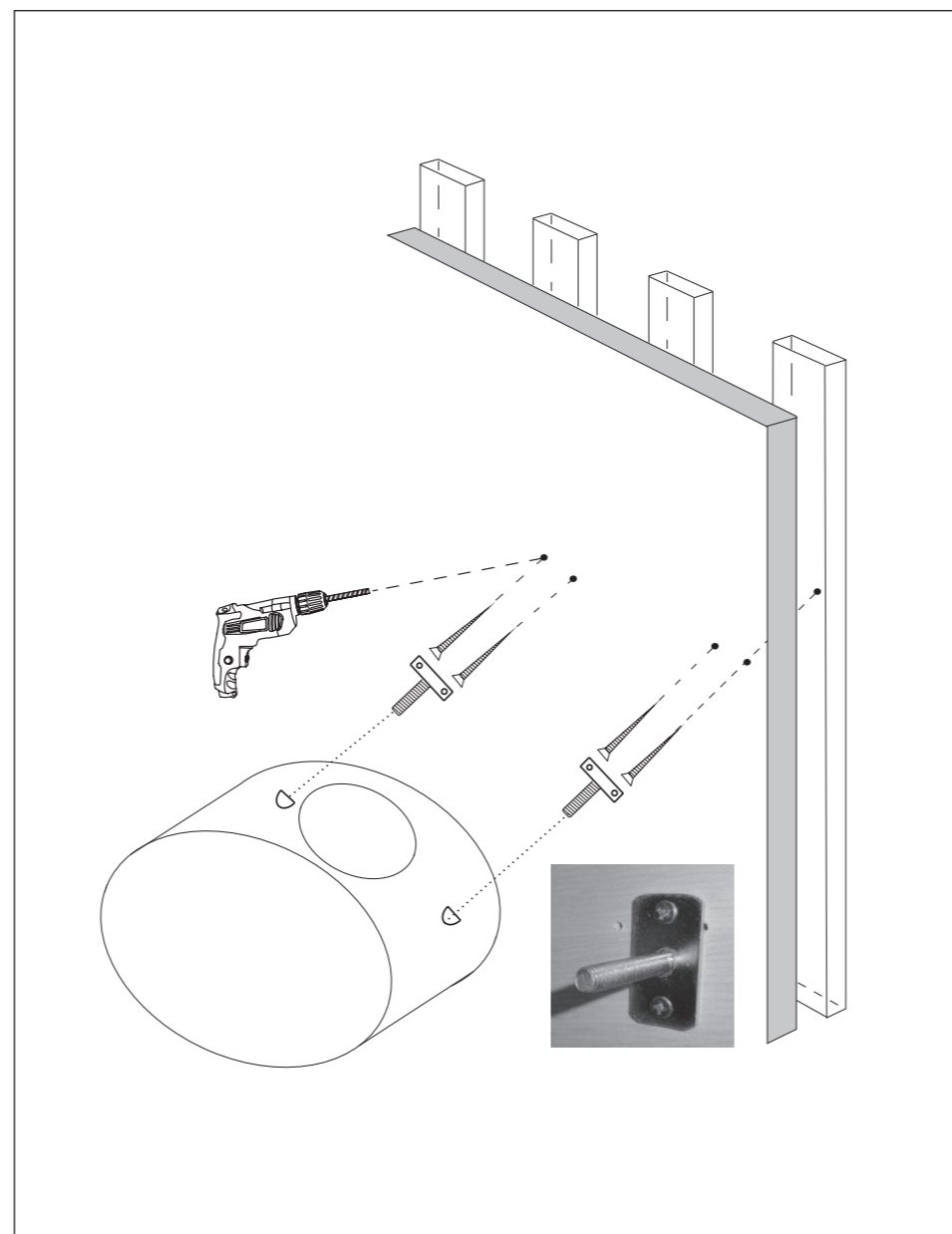
**EN Work Steps:**

**First Step**

Please use a stud finder (or other technique) and a pencil. After locating the stud mark the center of the stud, which will hold the product. Bring the products in final position and mark the screw-point on the center of the studs. Use a spirit level or have someone eyeball to make sure the holes are levelled.

**Second Step**

Use your drill and the 1/16" bit to make pilot holes for maximum 2 inch to all markings.



**Third Step**

Mount the metal holder with enclosed screws to the stud and make sure the screws are fastened securely.

**Final Step**

Connect the products with the holders in the wall.

**Advice:**

Please note the secure assembly and mounting requires one adult person. The holder need to be fixed to the wooden studs at 12 or 16 inch. For drywalls with metal studs, please use 2 inch. metal screws (not included).

